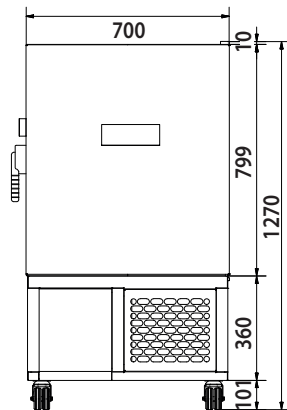
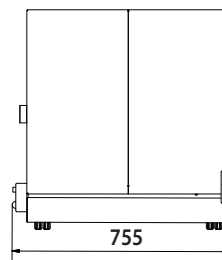


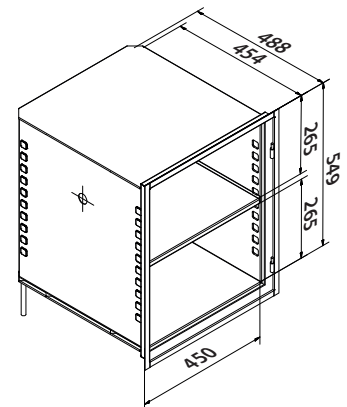
Side



Front



Top



Interior

**FREEZER TYPE**

**VF120-86**

Internal dimensions (length x depth x height)	450 x 488 x 549 mm
External dimensions (length x depth x height)	755 x 740 x 1270 mm
Minimal transport dimensions (doors, elevators, corners)	700 x 740 x 1260 mm
Net weight	190 kg

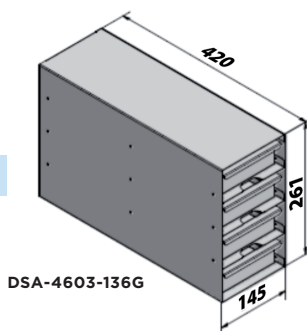
**Shipping details:**

Transport weight	255 kg
Transport volume	1,4 m <sup>3</sup>
Transport dimensions (packed)	940 x 940 x 1580 mm

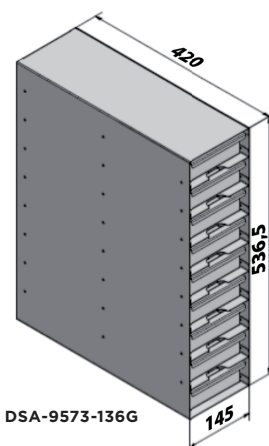
## ACCESSORIES INVENTORY SYSTEMS

**ALUMINIUM RACK** (incl. drawers with grip) for: 50 mm/2" boxes.

article	comp. per freezer	total racks	drawers per rack	boxes per rack	total boxes	max. box height
DSA-4603-136G	2	6	4	12	72	60
DSA-9573-136G	1	3	9	27	81	57



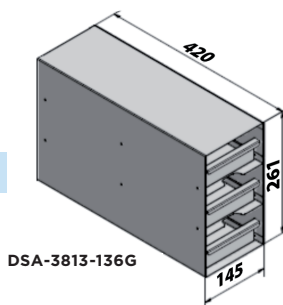
DSA-4603-136G



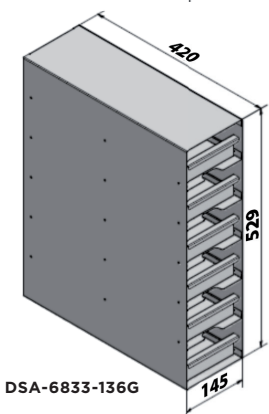
DSA-9573-136G

**ALUMINIUM RACK** (incl. drawers with grip) for: 75 mm/3" boxes.

article	comp. per freezer	total racks	drawers per rack	boxes per rack	total boxes	max. box height
DSA-3813-136G	2	6	3	9	54	81
DSA-6833-136G	1	3	6	18	54	83



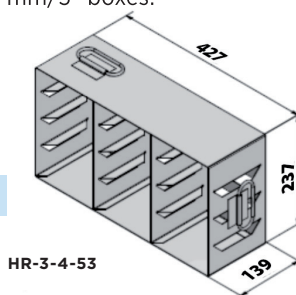
DSA-3813-136G



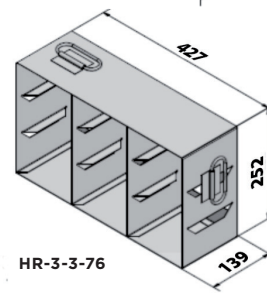
DSA-6833-136G

**STAINLESS STEEL RACK** (with grips) for: 50 mm/2" and 75 mm/3" boxes.

article	comp. per freezer	total racks	boxes per rack	total boxes	max. box height
HR-3-4-53	2	6	12/2"	72/2"	53
HR-3-3-76	2	6	9/3"	54/3"	76



HR-3-4-53



HR-3-3-76

\*Specifications subject to change

### OPTIONS

#### CO<sub>2</sub> BACK-UP SYSTEM

Back-up cooling system.

#### TEMPERATURE RECORDER

7-days/24 hours midi chart recorder, incl. chart paper, pen tip and battery.

#### NOVO

Text-messenger to pre-programmed mobile phones when controller gives an alarm.

#### INNER DOORS

Two (2) stainless steel insulated inner doors, optional lockable.

#### IQ / OQ

Installation and Operation qualification documents.

### SNIJERS LABS

#### Office and Production

Laurent Janssensstraat 105  
5048 AR Tilburg  
The Netherlands

#### Showroom and Testfacility

Gebroeders Salastraat 40  
5048 AL Tilburg  
The Netherlands

T +31 13 750 15 55

F +31 13 463 86 35

info@snijderslabs.com

www.snijderslabs.com

